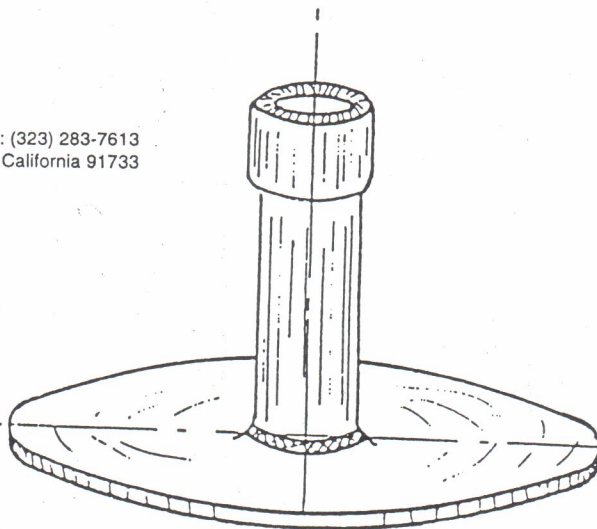


Industrial

LEAD & PLASTICS
CONSTRUCTION INC.

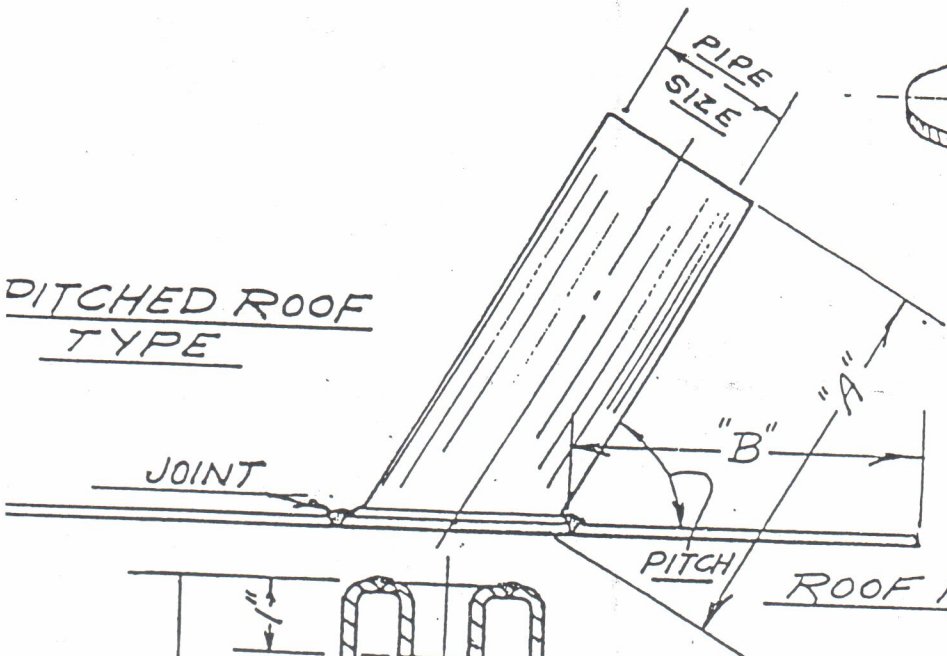
Telephone: (323) 283-7611 • (626) 448-6063 • Fax: (323) 283-7613
10332 East Rush Street, So. El Monte, California 91733

LEAD ROOF FLASHINGS

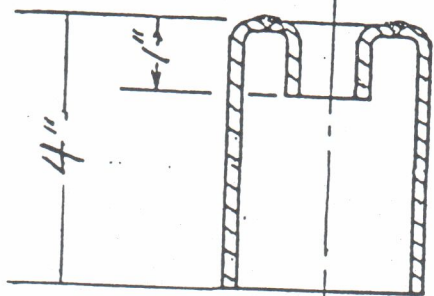


ROUND OR SQUARE
BASE

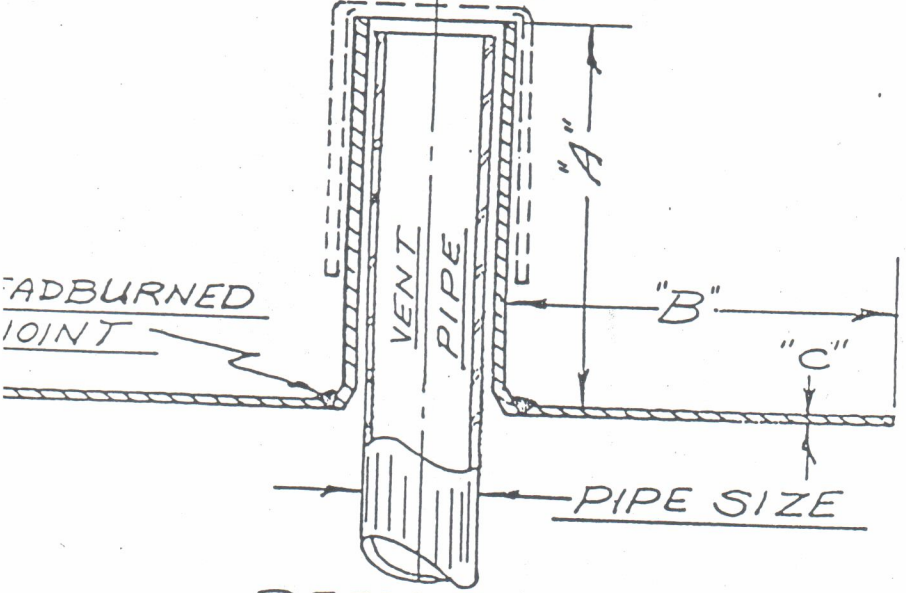
DITCHED ROOF
TYPE



ROOF PITCH (AS REQ'D)



COUNTER
FLASHING



SECTION

"A" - RISER HEIGHT REQ'D

"B" - SKIRT SIZE REQ'D

"C" - THICKNESS REQ'D.
(WEIGHT OF LEAD)

NOTE! ALL SEAMS & JOINTS
LEAD BURNED BY UNION
LEAD BURNERS (U.A.)